

BIG JOE



LXE50 Spartan

Cushion Tire Lithium Forklift Truck

Go lithium and reduce your operating cost vs IC forklifts by up to 50%

80v cushion tire lithium forklift with dual AC drive motors and low center of gravity for exceptional indoor material handling performance



CAPACITY

5,000lbs. at 24" load center to 130" with integral sideshift as standard equipment.

Triple stage wide view masts deliver maximum lift heights of up to 197"

BATTERY

80v UL recognized 460AH Li-Ion battery capable of fast charging, without need of regular maintenance or facility infrastructure such as eye wash stations.

Connector: Rema DIN 320

PERFORMANCE

TRAVEL

9.3 mph empty
9.0 mph loaded

LIFT

Up to 98.4 fpm empty
Up to 74 fpm loaded

LOWERING

Up to 81.6 fpm empty.
Up to 78 fpm loaded

TIRES

Front 21 x 7-15 smooth cushion
Rear 16 x 6-10.5 smooth cushion

OPERATOR COMPARTMENT

Operators compartment is exceptionally spacious due to purpose-built design for an integrated lithium battery. Ergonomic controls are provided for lift, lower, tilt, and sideshift which are within easy reach of the operator. Visibility is excellent through the wide view mast. Power steering with assist knob, adjustable steering column & adjustable suspension seat ensures comfortable working position and reduced fatigue during operation. Large mirror and overhead guard mounted hand rail aids operator when driving the in the reverse direction of travel. Programmable diagnostic digital with Bluetooth service connectivity display communicates travel speed, battery discharge information, hour meter, and fault codes.

HYDRAULICS

Three function for lift, tilt, and sideshift as standard. Optional 4th valve with control lever and hosing is available to support two function attachments.

ELECTRICAL 80v AC controller technology delivers high efficiency and performance while significantly reducing maintenance cost and extending vehicle service life. Vehicle includes an onboard 12v DC power outlet for accessories and full light package as standard equipment.

Battery management system monitors lithium battery performance during operation and charging to help extend battery service life up far longer than traditional lead acid industrial batteries.

DRIVE UNIT AND BRAKES

Dual AC drive motors deliver smooth torque and speed curves matched to vehicle needs in real time for peak efficiency and performance. Regenerative neutral braking extends duty-cycle. Vehicle's wet disc hydraulic brakes and foot actuated parking brake ensure effective stopping power during operation and when on rated grades.

FRAME AND MAST Heavy duty steel chassis features long wheel-base, wide tires and low center of gravity for stable operation. Wide view mast with ITS class II carriage includes integral sideshift and load back rest.

SERVICEABILITY

On-board programmable display allows for troubleshooting and system adjustments without need of tools. Units can be optionally outfitted with a telematics system that includes cloud based maintenance monitoring, GPS tracking and related data services.

STANDARD EQUIPMENT

- Headlights and brake lights
- Turn signals & back up alarm
- Adjustable suspension seat
- Integral sideshift with 3-function hyd
- 12v accessory charging port
- Reverse travel grab handle with horn
- 42" x 4.8" x 1.57" Forks

OPTIONAL EQUIPMENT

- Medium duty 230AH Lithium battery
- 4th hydraulic valve, control and hosing
- Hang-on sideshift in lieu of integral
- Sideshifting fork positioner
- Telematics package
- 480vac, 240vac or 120vac charger
- Non-marking white tires
- 48" Forks, 48" or 60" LBR, Blue light

**5 year
10,000 hr**
Lithium battery warranty

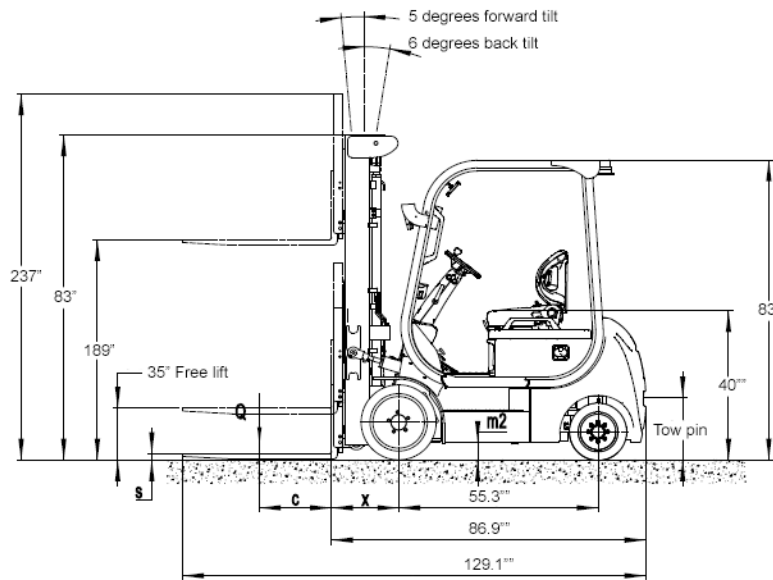
Subject to terms and conditions

Fast charge, clean power, low cost

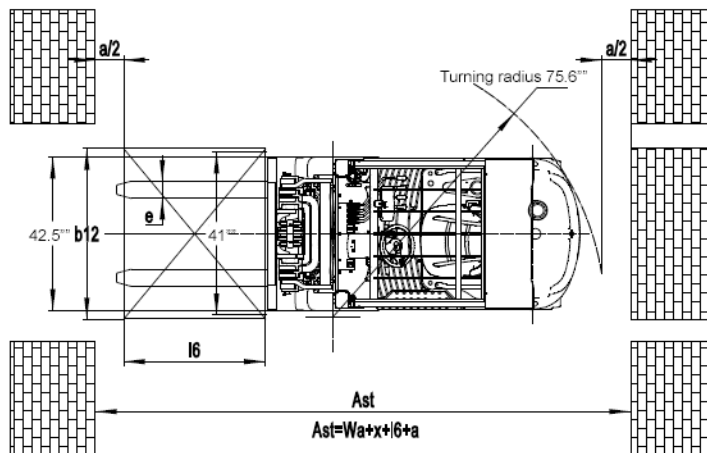
- 6-6.5 hour run time with up to 12% recharge every 15 minutes
- No fumes, watering, or eye wash stations required
- Lowest operating cost of any type of general purpose forklift

LXE50 Spartan Rated Capacity
 5,000lbs. to 130" @ 24" LC
 4,000lbs. to 189"/197" @ 24" LC

Gradeability: 16% Loaded 15% Unloaded



LXE50 Spartan shares the same design proportions as a common 5,000lb IC trucks, which makes it easy for companies to transition to lithium electrics which can reduce their operating costs by over 50% by comparison.



All measurements shown are in standard "inch" units

Truck Model 24" Load Center	Truck & Battery	Mast	Lift Height	Collapsed Height	² Free Lift	² Extended Height	Wheel Base	Turning Radius	**Weight (lbs)
5,000 lbs. Capacity*									
LXE50-189	80v Lithium	Three Stage	189	83.0	35.0	237	55.3	75.5	10,538
LXE50-197	80v Lithium	Three Stage	197	90.7	40.4	245	55.3	75.5	10,670

* Derates 1,000lbs above 130" elevation, ² With Load Backrest

** Estimated shipping weight with battery

Revolutionize your operations with the next generation of power technology